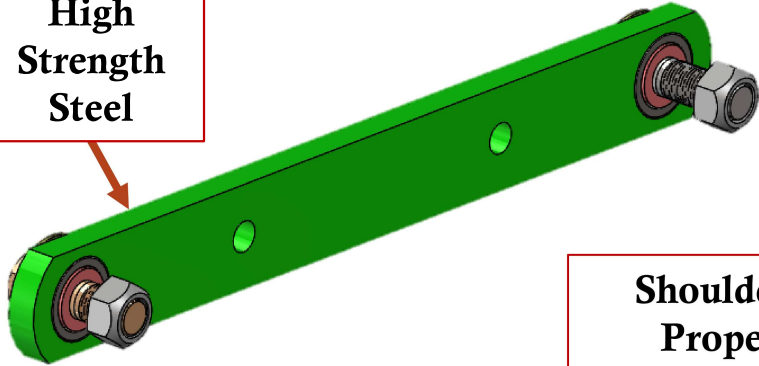


GBGI Short Parallel Arm

AG-1573

High Strength Steel

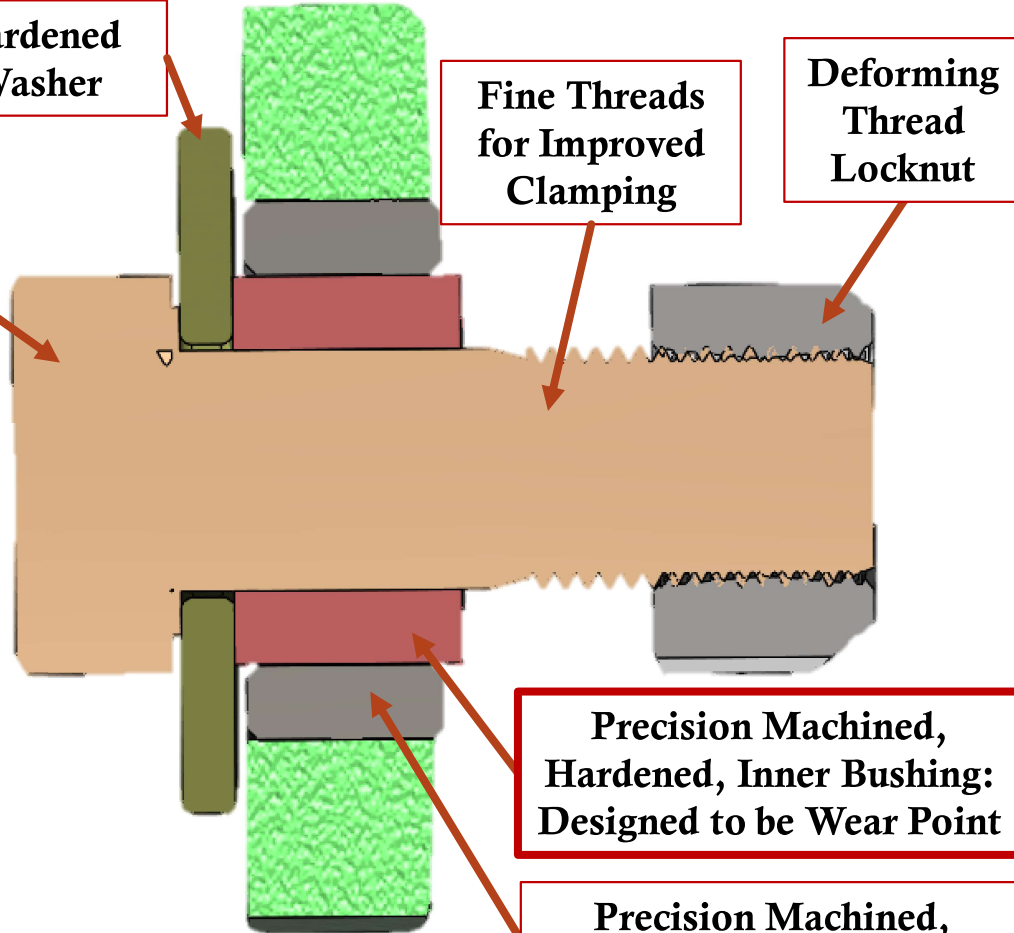


Hardened Washer

Shoulder Bolt to Properly Seat Bushings on Shaft

Fine Threads for Improved Clamping

Deforming Thread Locknut

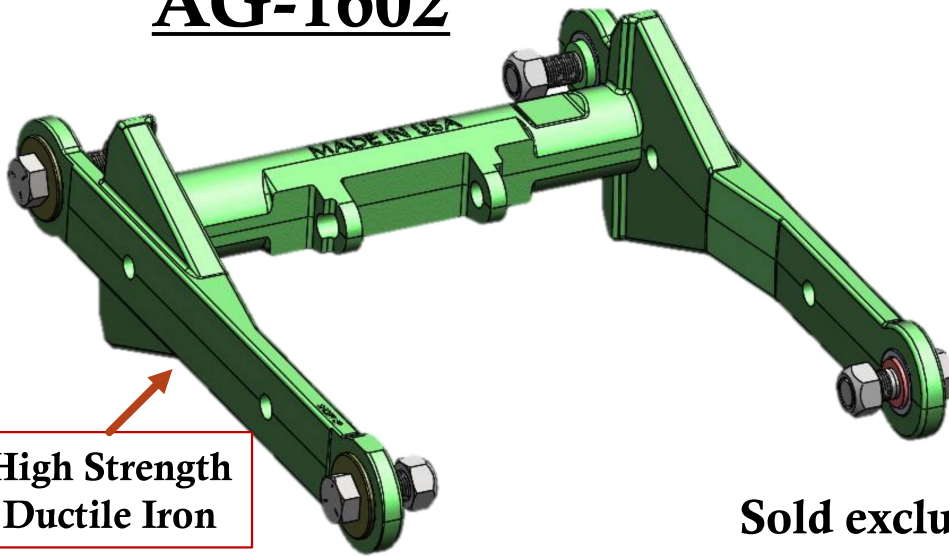


Precision Machined, Hardened, Inner Bushing: Designed to be Wear Point

Precision Machined, Hardened, Outer Bushing

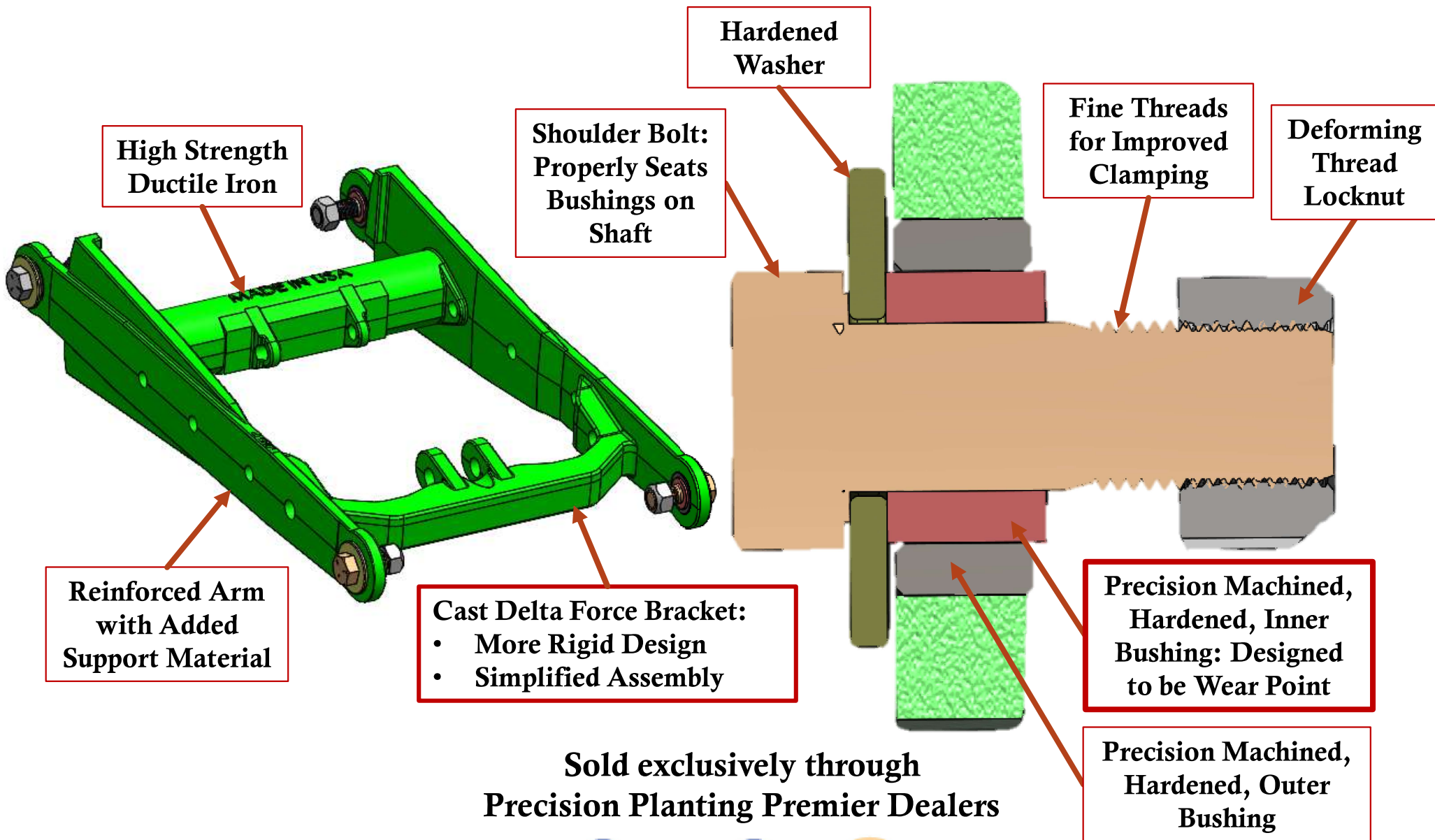
AG-1602

High Strength Ductile Iron



Sold exclusively through
Precision Planting Premier Dealers

GBGI Delta Force Parallel Arm

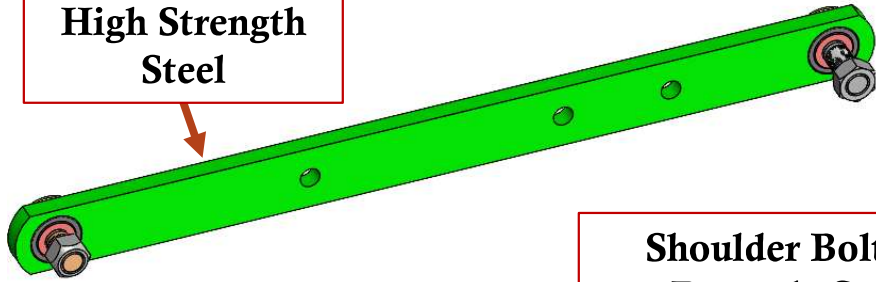


Sold exclusively through
Precision Planting Premier Dealers

GBGI Long Parallel Arm

AG-1586

High Strength Steel



Shoulder Bolt to Properly Seat Bushings on Shaft

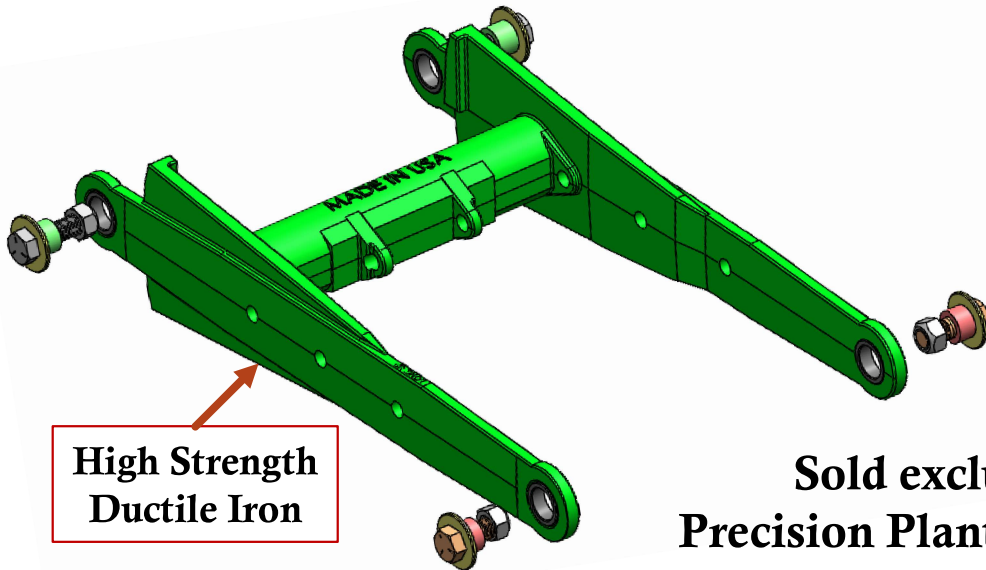
Hardened Washer

Fine Threads for Improved Clamping

Deforming Thread Locknut

AG-1591

High Strength Ductile Iron



Precision Machined, Hardened, Inner Bushing: Designed to be Wear Point

Precision Machined, Hardened, Outer Bushing

Sold exclusively through
Precision Planting Premier Dealers

New for 2022: Kinze Pull Arm

2022 Limited Release
2023 Full Launch

Common Hardware to Deere:

AG-1612

High Strength
Ductile Iron

Reinforced Arm:
Added Support
Material

Cast Delta Force Bracket:
• More Rigid Design
• Simplified Assembly

Cast on Spring
Anchor

Shoulder
Bolt

Hardened
Washer

Fine Threads
for Improved
Clamping

Deforming
Thread
Locknut

Precision Machined,
Hardened, Inner
Bushing: Designed
to be Wear Point

Precision Machined,
Hardened, Outer
Bushing

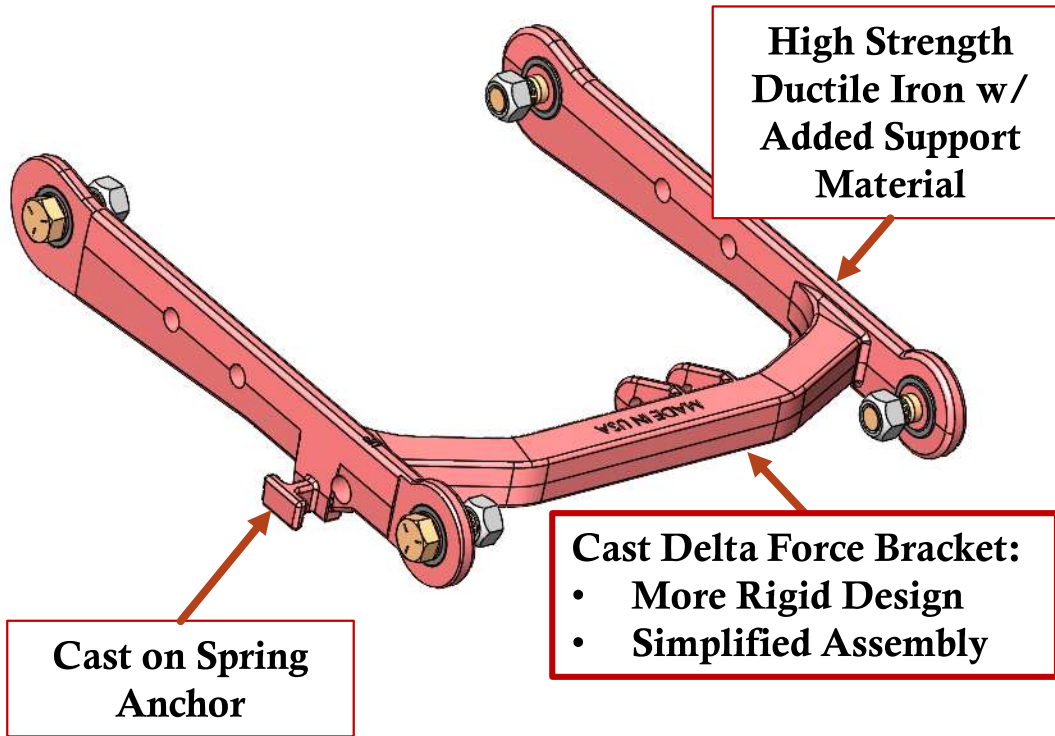
Sold exclusively through
Precision Planting Premier Dealers



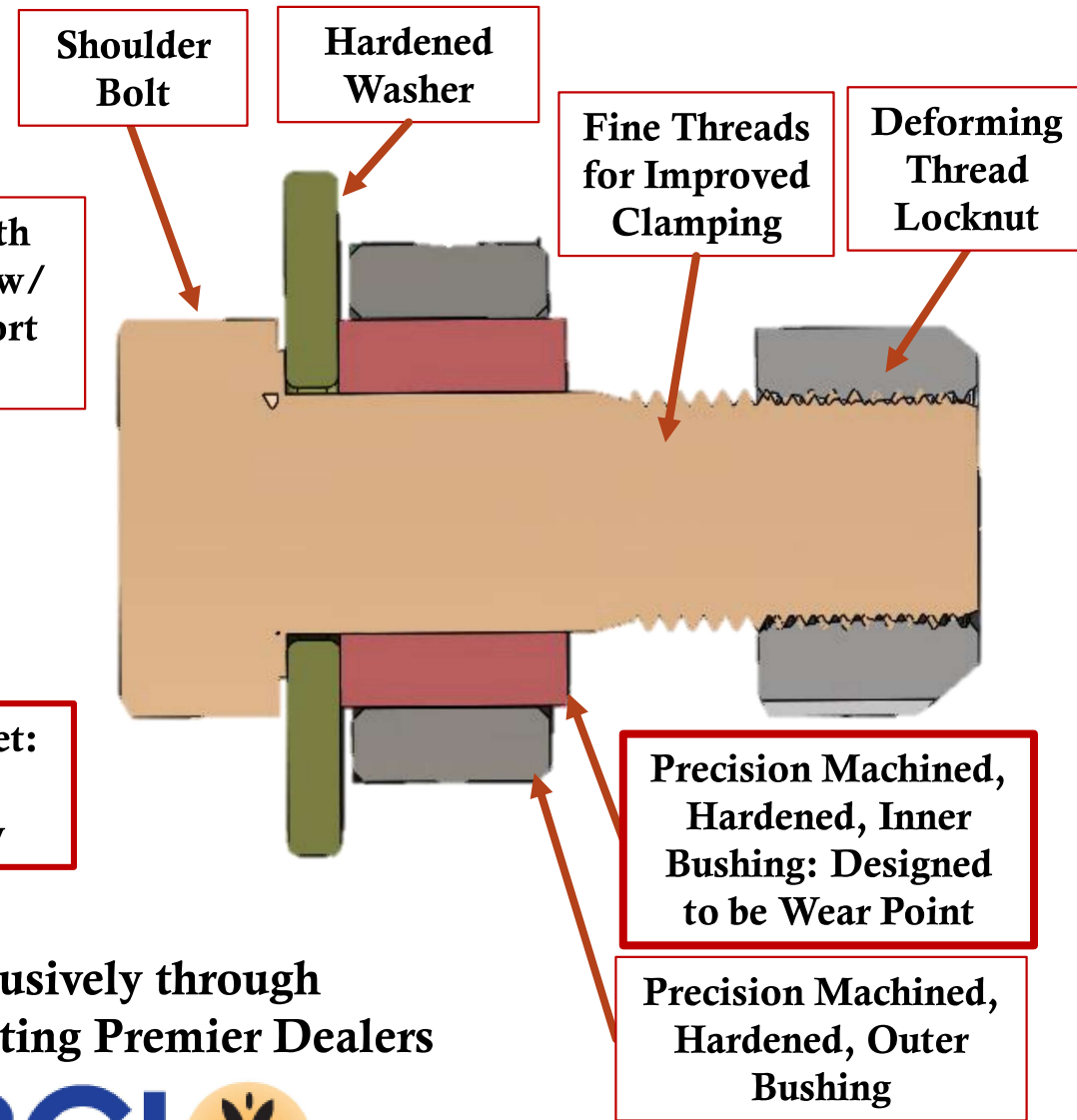
New for 2022: Kinze Push Arm

2022 Limited Release
2023 Full Launch

AG-1613



Common Hardware to Deere:



Sold exclusively through
Precision Planting Premier Dealers